

DIAMOND

Fiber Optic Components

F-3000 HYBRID
 MATING ADAPTER
 MULTIMODE
 SINGLE MODE
 SINGLE MODE APC

SPECIFICATIONS

	Multimode	Single Mode	Single Mode 8° HRL	Units	Test conditions
Insertion Loss (IL) *	typ 0,2	typ 0,5	typ 0,5	dB	IEC 61300-3-4; $\lambda = 1300/1550\text{nm}$
Repeat ability of IL	$\pm 0,1$	$\pm 0,2$	$\pm 0,2$	dB	
Service life	1000 Mate/Demate cycles				
Operating temperature	-40 / +85			°C	
Storage temperature	-40 / +90			°C	

* IL measured using two reference cables



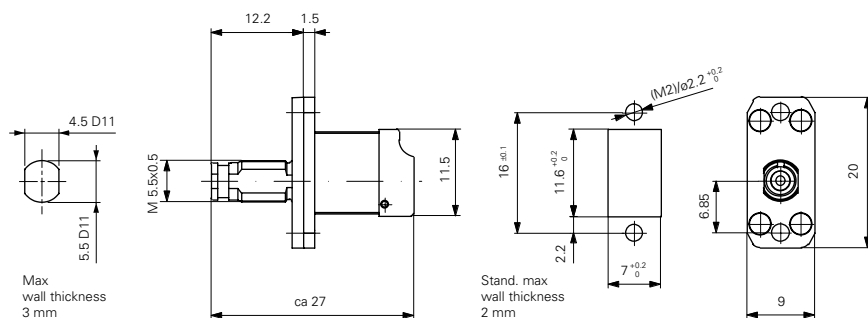
APPLICATIONS

Hybrid adapters are used to directly mate different connectors standards. Thanks to their excellent optical and mechanical performance these adapters are an ideal, space saving alternative to hybrid patch assemblies.

HYB. F-3000/LSA

Mating sleeve:
 External parts:

Zirconia
 Plastic/
 Ni-plated Zamak

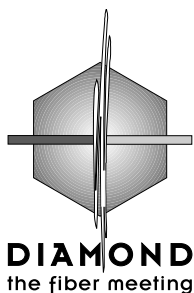
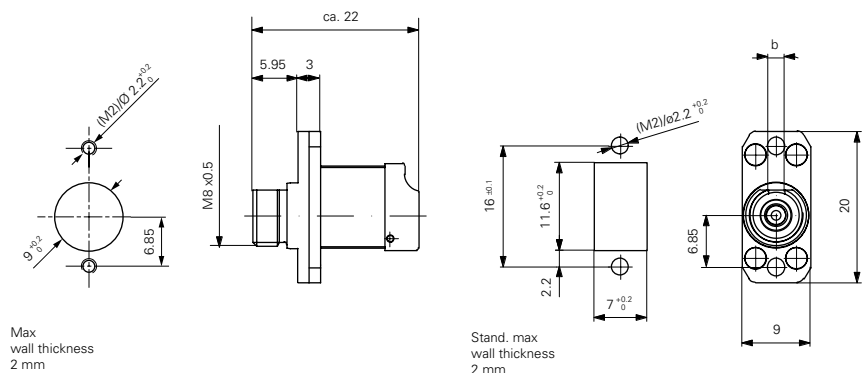


HYB. F-3000/FC (HPC)

Mating sleeve:
 External parts:

Zirconia
 Plastic/
 Ni-plated Zamak

Dimension b:
 2 or 2.2 mm



DIAMOND SA
 Via dei Patrizi 5
 CH-6616 LOSONE
 Tel. ++41-91/785 45 45
 Fax ++41-91/785 45 00
 e-mail: info@diamond-fo.com

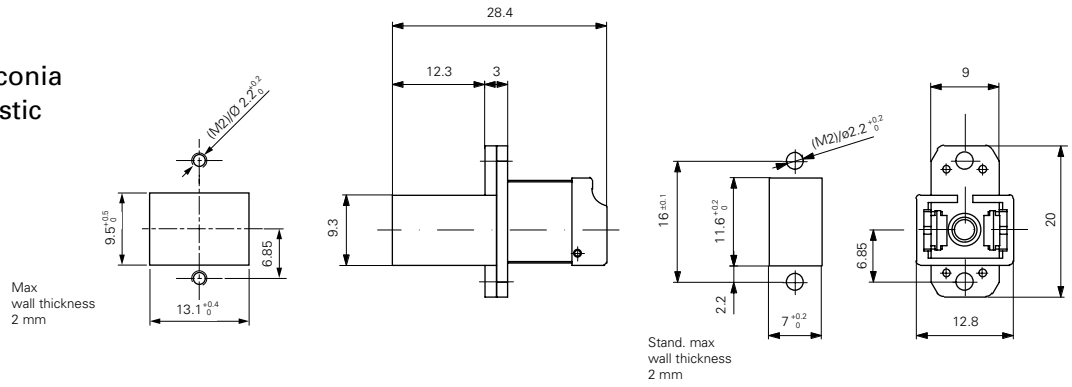
*Specifications subject to change
 without notice*

002-037-208P002072

HYB. F-3000/SC

Mating sleeve:
External parts:

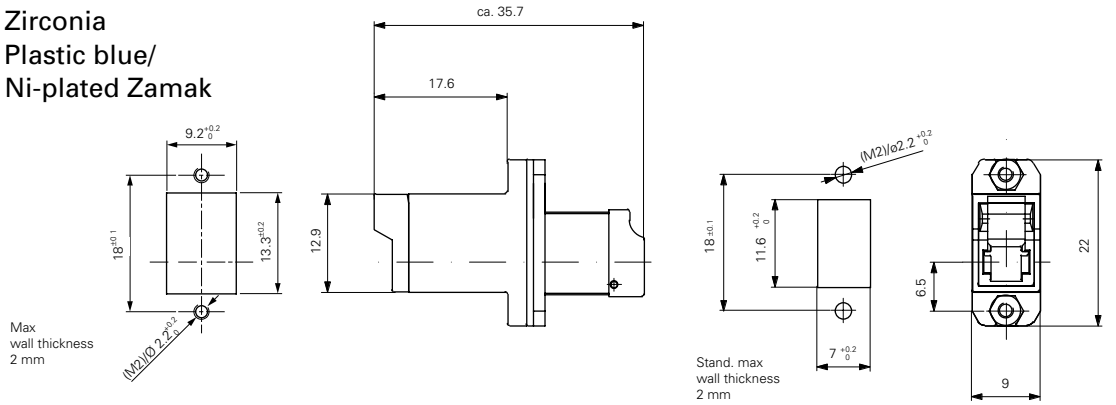
Zirconia
Plastic



HYB. F-3000/LSH (E-2000™)

Mating sleeve:
External parts:

Zirconia
Plastic blue/
Ni-plated Zamak



ORDER NUMBERS

Type designation	Order Number
HYB. F-3000/SC PC	151 - 101 - 101 V 101
HYB. F-3000/SC APC	151 - 101 - 101 V 201
HYB. F-3000/LSA (DIN) PC	151 - 101 - 102 V 101
HYB. F-3000/LSA (DIN) APC	151 - 101 - 102 V 201
HYB. F-3000/FC PC b=2.2mm	151 - 101 - 103 V 101
HYB. F-3000/FC APC b=2.2mm	151 - 101 - 103 V 201
HYB. F-3000/FC PC JDS b=2mm	151 - 101 - 104 V 101
HYB. F-3000/FC APC JDS b=2mm	151 - 101 - 104 V 201

HYB. F-3000/LSH (E-2000) PC	151 - 101 - 106 V 1 x x
HYB. F-3000/LSH (E-2000) APC	151 - 101 - 106 V 2 x x

COLOR CODING FOR LSH

Frame color	blue	green	black	red	orange	yellow	white	violet
Order Number	01	02	03	04	05	06	07	08

MECHANICAL KEYING FOR LSH

HYB. F-3000/LSH PC	151 - 101 - 1 x 6 V 100
HYB. F-3000/LSH APC	151 - 101 - 1 x 6 V 200

Mechanical keying No.	1 (red)	2 (brown)	3 (yellow)	4 (orange)	5 (violet)	6 (white)
Order Number	1	2	3	4	5	6